

5035

Product



KRAMER
on the safe side



Practical. Safe. Intelligent

With its exhaust emission stage V, the 5035 is a compact and manoeuvrable wheel loader. With its dimensions it is predestined for low clearance heights and tight passages. As a result of its width of just 1.26, it is possible to effortlessly drive on the foot path. This machine is also transportable on a car trailer due to its low transport weight and is therefore easy to transport between different areas of application. The machine has been built on a new frame concept, which enables great manoeuvrability whilst maintaining the stability.

- Front-wheel-steering and crab steering (optional): Crab steering not only enables steering around obstructions, but also maintains the consistent, parallel clearance.
- Comfortable cabin design: A wide entry with an additional step ensure a comfortable and, above all, safe entry and exit.
- Loader unit with Z-kinematics: The Z-kinematics enable great lift and shear force, and the exact parallel guidance throughout the entire height. The visual position indicator for attachments is ideal of inexperienced operators.
- Opening cabin door: The generously designed window on the right-hand side can be comfortably opened by

180 degrees. In addition to this, the cabin door can also be opened as far.

- Ergonomics: The side console, which has been redesigned from scratch contains several storage areas alongside a number of functional and ergonomic features. All of the important switches are within reach of the right hand.

5035 Technical specifications

Operating data

Bucket capacity	0.35 m ³
Operating weight	1,920 kg

Engine / Motor

Engine / Motor manufacturer	Yanmar 3TNV82A
Engine performance (option)	18 kW
Emission standards stage (standard)	V

Power transmission

Traction drive	hydrostatic drive system
Travel speed	20 km/h
Standard tires	27x10.5-15 - construction machine tread
Differential lock	hydraulic (optional)
Max. steering angle	2 x 38 °

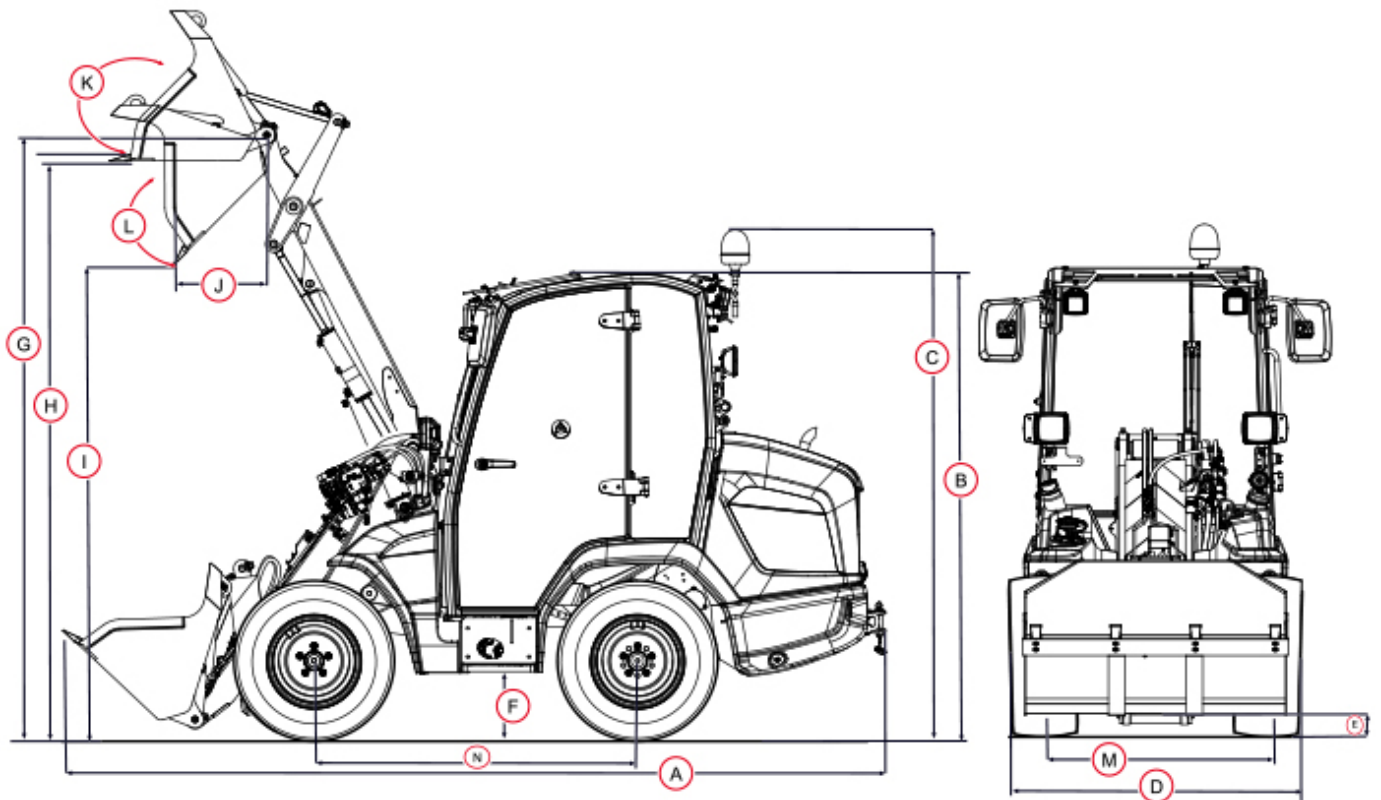
Steering and operating hydraulics

Max. pump discharge capacity	20 l/min
Max. pump pressure	240 bar

Kinematics

Tipping load (bucket)	1,140 kg
Payload S=1.25 [kg]	750 kg
Tilt-in angle	43 °
Tip-out angle	40 °

5035 Dimensions



B	Height	2,170 mm
A	Length	4,050 mm
D	Width	1,260 mm
G	Bucket pivot point	2,800 mm
H	Overhead loading height	2,680 mm
I	Dumping height	2,290 mm
	Stack height	2,630 mm
N	Wheelbase	1,525 mm

Please note: that product availability can vary from country to country. It is possible that information / products may not be available in your country. More detailed information on engine power can be found in the operator's manual; the stated power may vary due to specific operating conditions. Subject to alterations and errors excepted. Applicable also to illustrations.

Copyright © 2022 Kramer-Werke GmbH.